

INSTALLATION GUIDE

Pedestal and Cable Retractor



TOOLS REQUIRED FOR INSTALLATION



Protective eyewear



Insulated shoes



Dust masks



Insulated gloves



Impact (Hammer) Drill



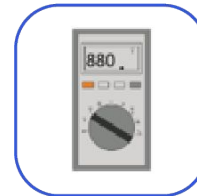
Horizontal ruler



5#3# hexagonal wrench



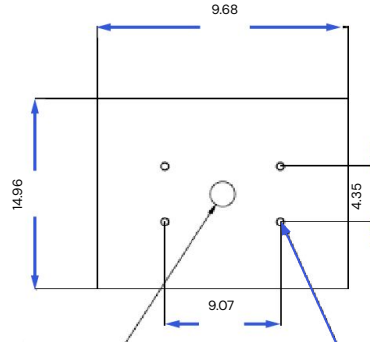
#2 Phillips, T20 Screwdriver



Multi-meter

CEMENT PILES POURING

1. Reserve 1.18 in PVC wire pipe and input cord into the line trench.
2. The PUV pipe shall not be higher than the cement substrate.

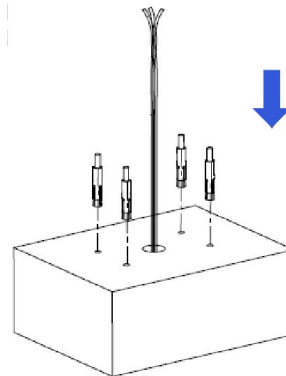


Pouring cement piles at charging post installation locations

(Refer: W*D*H
19.68*14.96*7.87 in)

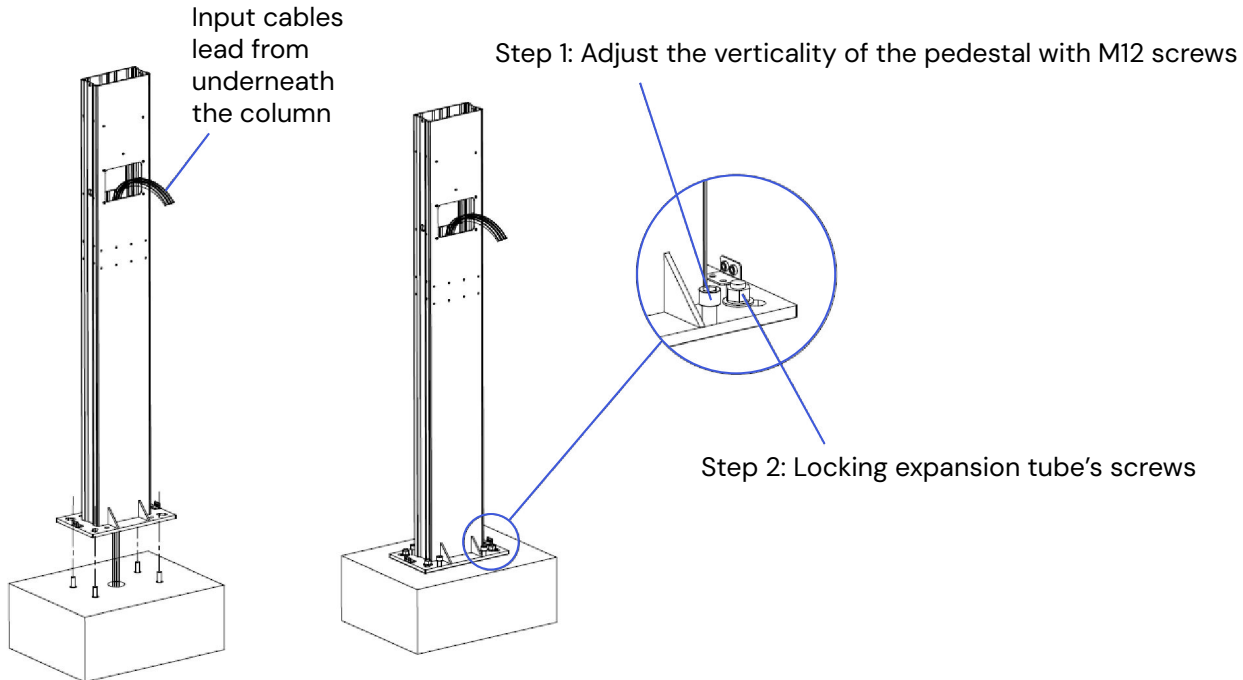
1. The input cord expose 4.92 ft on the cement substrate.
2. The high voltage AC wire and low voltage signature wire needs to be apart.

M12 expansion screws installation hole
Diameter: 0.59 in
Depth: 3.74 in



Drive expansion into the cement piles

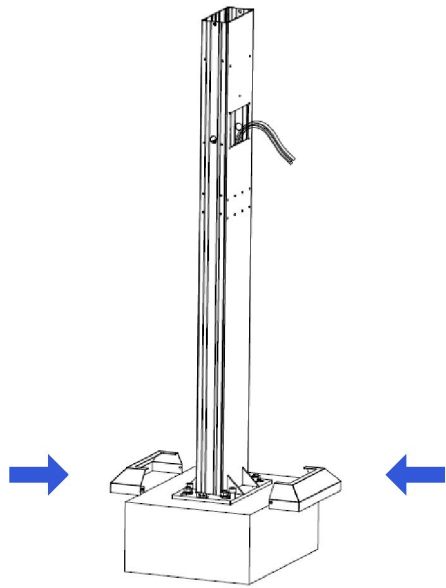
PEDESTAL INSTALLATION



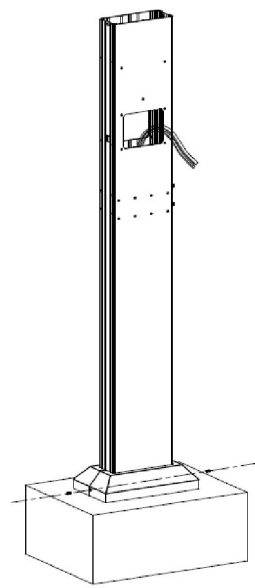
Place the pedestal in the screw position

1. Measure the horizontal verticality with a level meter
2. Locking expansion tube screws

INSTALLING THE BASE COVER PLATE



Insert base cover plate from both direction.

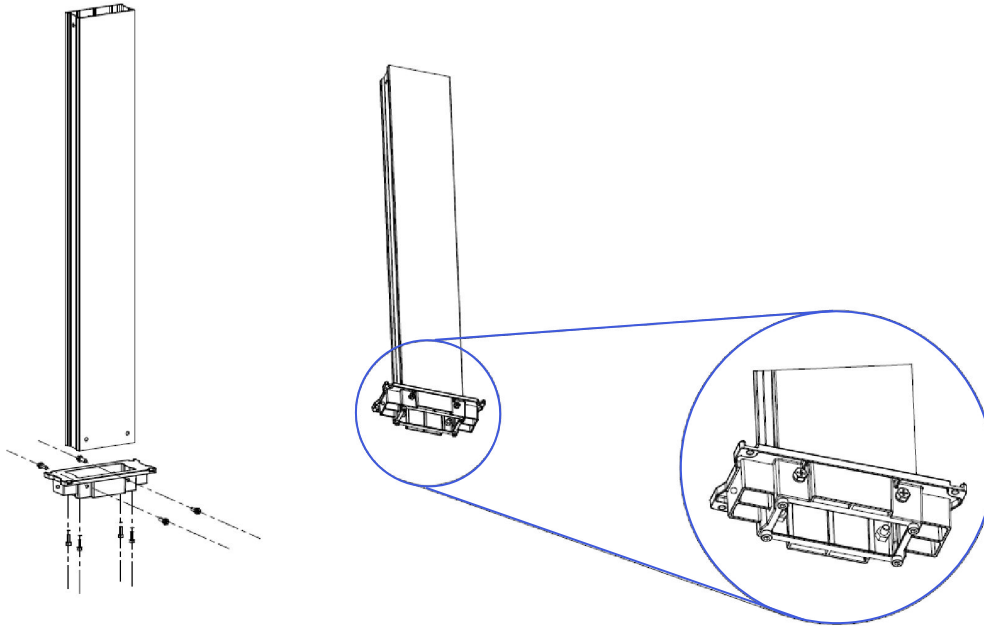


Lock in M4 screws from 2 directions.

INSTALL THE EXTENDED ARMS PEDESTAL

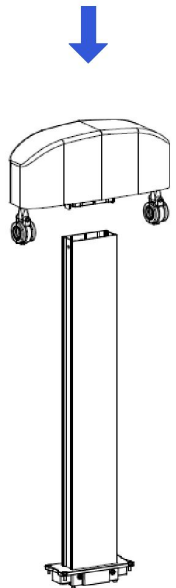


Install the extended arms pedestal

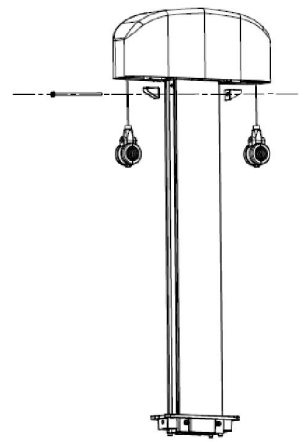


Insert the extended arms vertically
Locking screws from left and right side and bottom

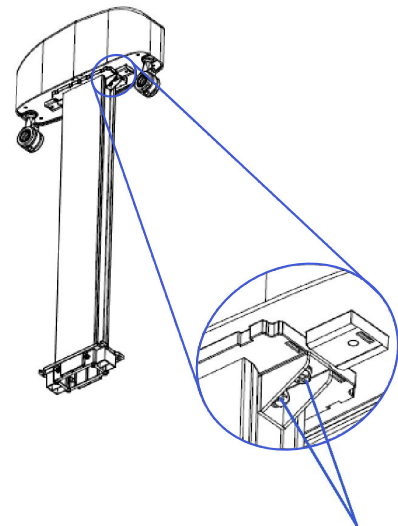
INSTALL THE CABLE RETRACTOR



Insert the cable retractor into the pedestal



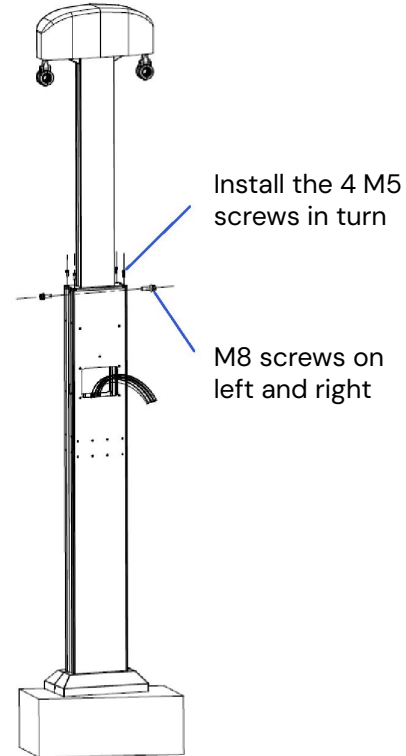
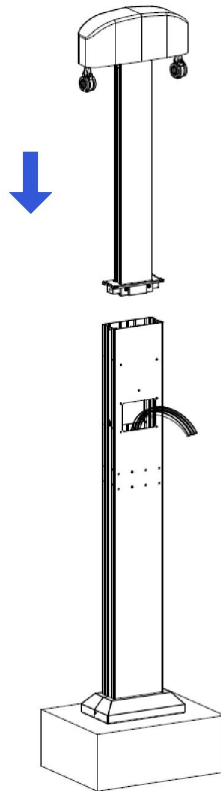
Pull down the cable clamps
Install M6 screws and
brackets on both sides.



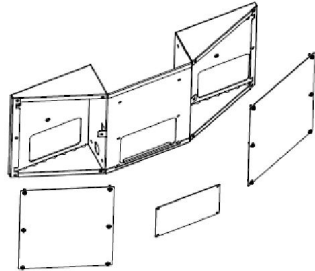
Well lock the
screws from
both directions.

UPPER AND LOWER PEDESTAL MOUNTING COMBINATIONS

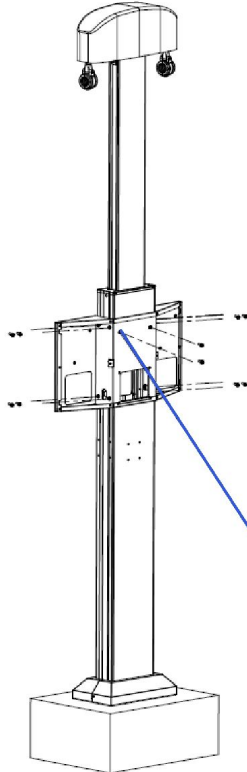
Vertically insert the upper pedestal into the basic pedestal



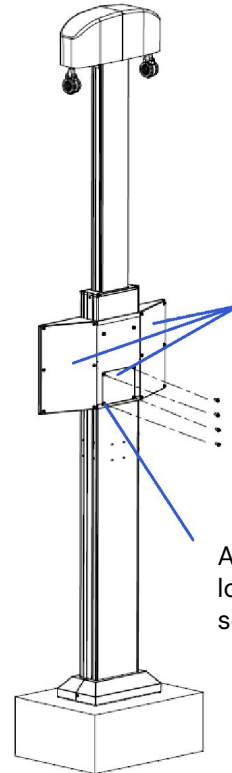
SIDE BY SIDE INSTALLATION BRACKETS



Remove the back cover of the mounting backplane first

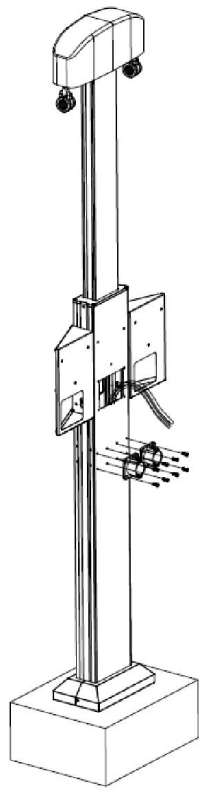


Hooked up to the pedestal inlet wire holes
Lock in 10pcs M5 screw in turn

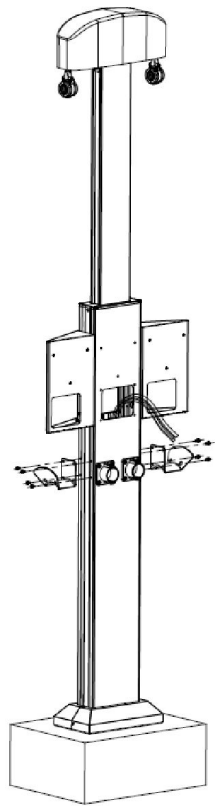


Install the backplate after wiring fixed.
After well wired, lock in 4pcs M5 screw in turn.

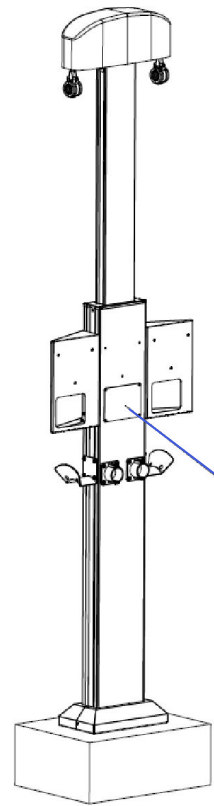
UPPER AND LOWER PEDESTAL MOUNTING COMBINATIONS



Install charging gun socket

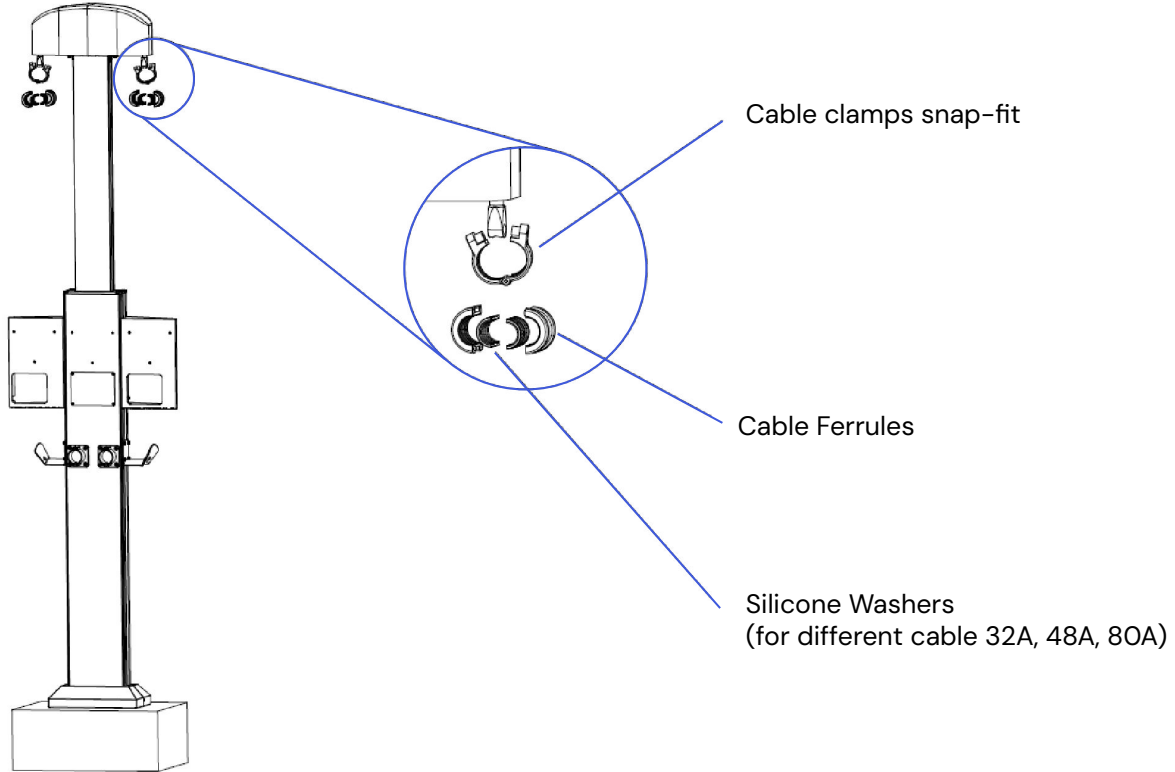


Install the hook



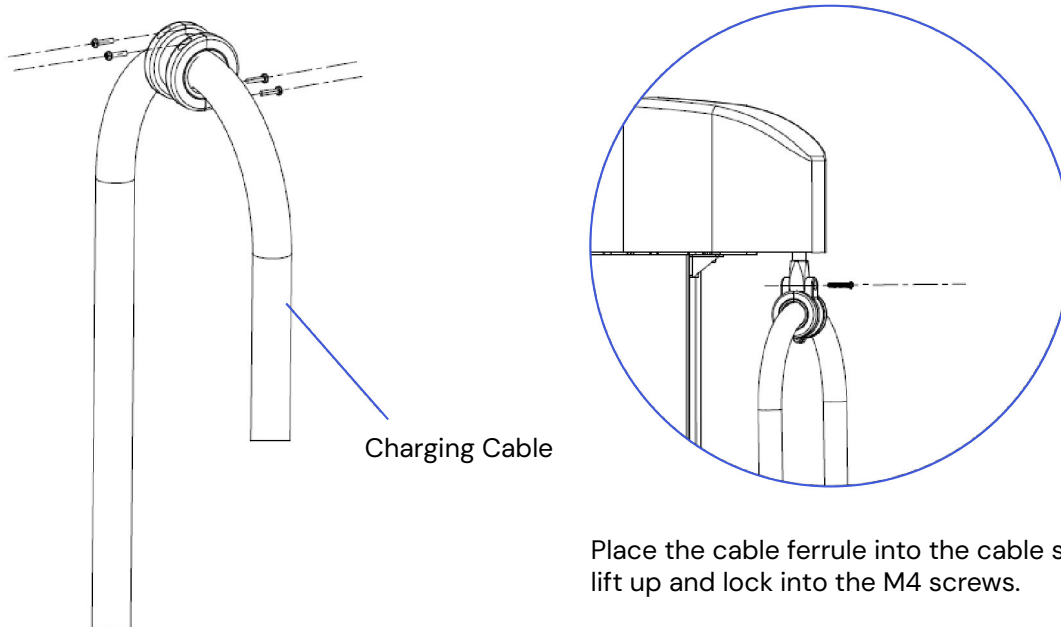
Install cover after Wires fixed

CABLE CLAMPS INSTALLATION



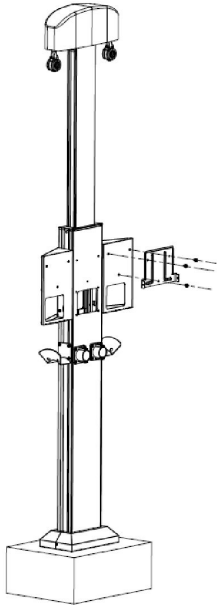
Disassemble the cable clamps first

INSTALL THE CHARGING CABLE

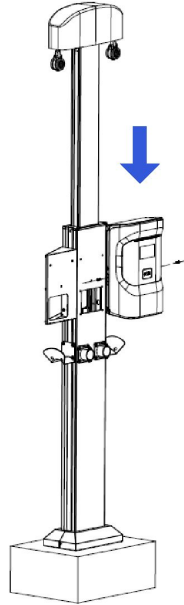


Adjust the charging cable the proper height
Use the cable clamps snap-fit lock the
charging cable and use 4pcs M3 screw it.

INSTALL THE EV CHARGER – SIDE BY SIDE

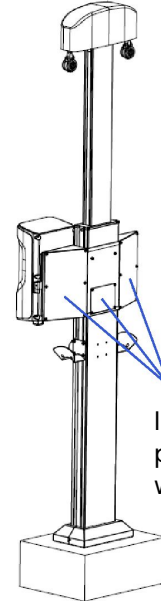
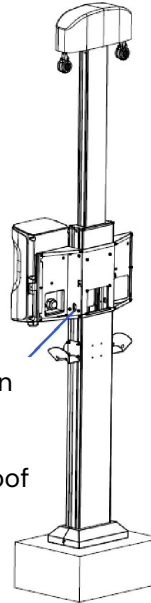


Install mounting brackets



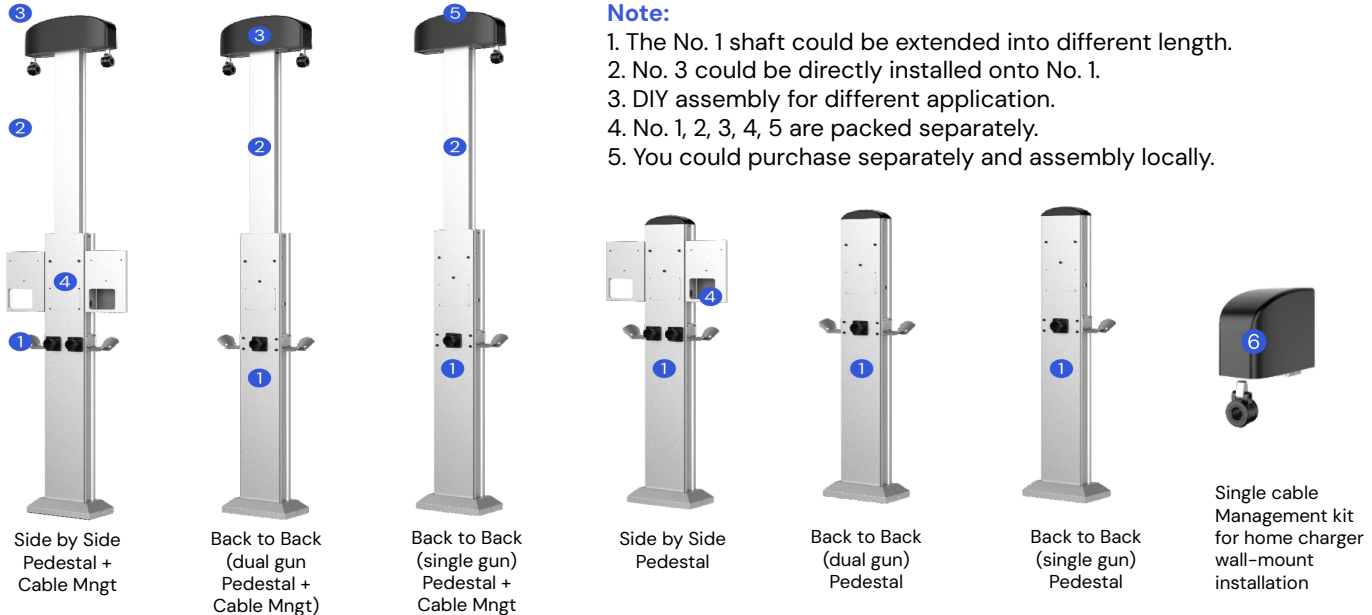
Install EV charger, lock by M4 anti-theft screw to fix it.

Open the back cover, decorative cover, wiring cover, pass the input cable through the holes on both sides on pedestal to the input port of the charger, lock the waterproof connector after wiring.



Install the back plate cover after wired well.

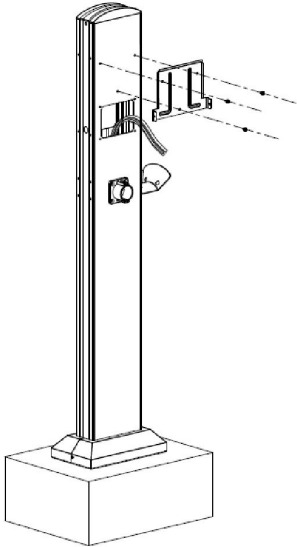
CUSTOMIZABLE BUILDS



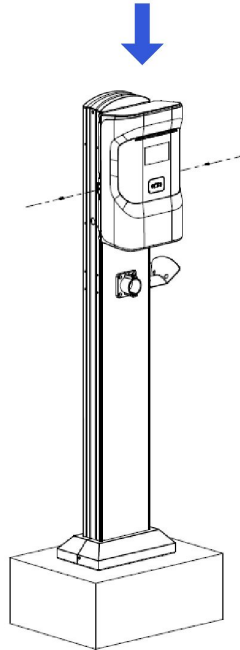
CUSTOMIZABLE BUILDS

CTX-FLUXPED	1	Single Post (no Retraction)
CTX-FLUXWAL-CMS-1	6	Single Retractor (Wall)
CTX-FLUXPED-CMS-1	5 2	Single Retractor (Post)
CTX-FLUXPED-CMS-2	3 2	Dual Retractor (Post)
CTX-FLUXPED-SBS	4	Side by Side Bracket

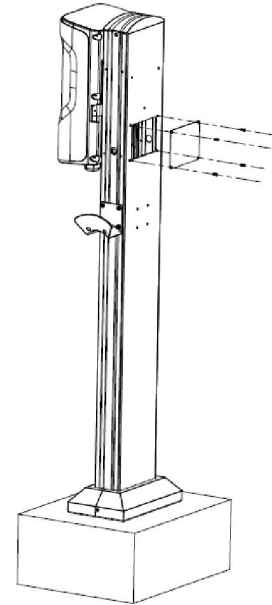
SINGLE PORT SET UP



Install mounting brackets



After EV charger well installed, connect the input cable to the EV charger input port (open EV charger decoration cover, wiring cover). Lock in M4 anti-theft screw to fix the EV charger.



Install the pedestal cover after installation.